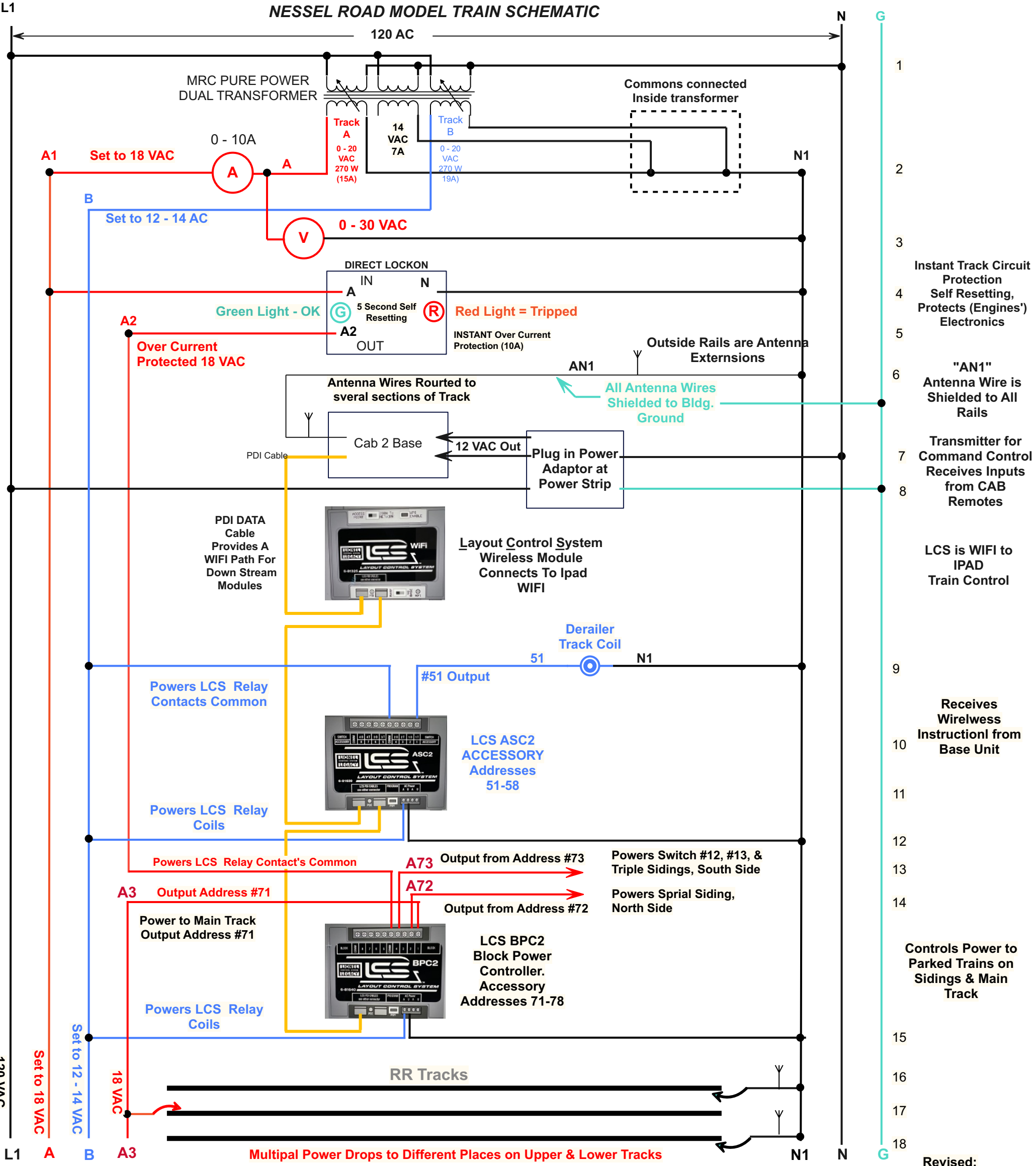


NESSEL ROAD MODEL TRAIN SCHEMATIC



Instant Track Circuit Protection Self Resetting, Protects (Engines') Electronics

"AN1" Antenna Wire is Shielded to All Rails

Transmitter for Command Control Receives Inputs from CAB Remotes

LCS is WIFI to IPAD Train Control

Receives Wirelless Instructionl from Base Unit

Controls Power to Parked Trains on Sidings & Main Track

Revised: February 13, 2024